

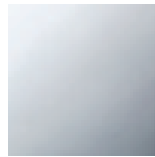


## Shower - CL.1

Concealed thermostat with two-way volume control - polished chrome

Article number: 36 426 670-00 0010

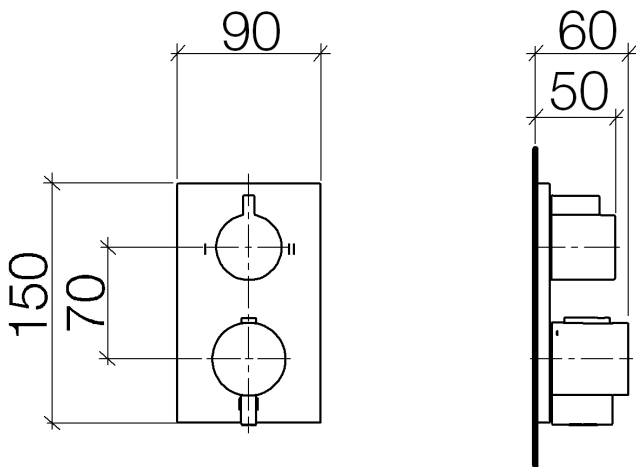
- Diverter with integrated volume control and integrated stops
- Cover plate 5-7/8" x 3-1/2"
- Temperature control handle with safety lock at 100 °F/ 38°C
- Max. temperature can be set on the trim
- (ADA)



polished chrome

Accessory is required for this item.

## Dimensional drawing



All dimensions in mm / inch = mm x 0,0394

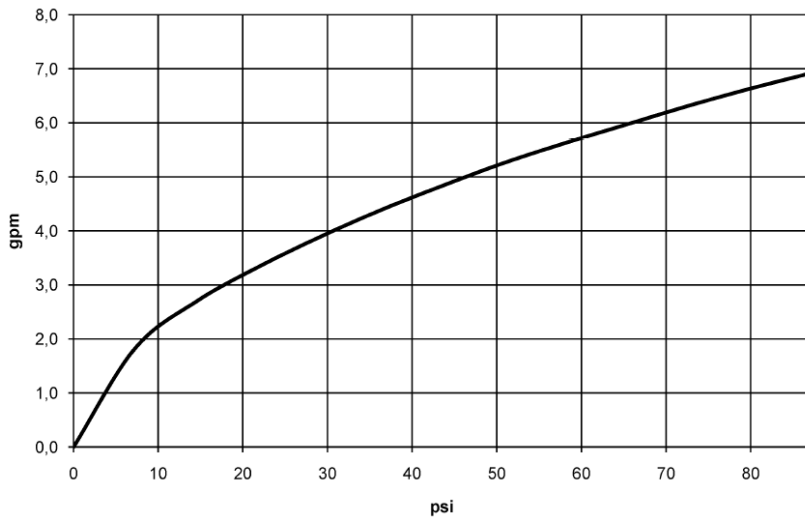


Shower - CL.1

Concealed thermostat with two-way volume control - polished chrome

Article number: 36 426 670-00 0010

### Flow rate chart





## Shower - CL.1

Concealed thermostat with two-way volume control - polished chrome

Article number: 36 426 670-00 0010

### Other surface finishes



platinum matte

36 426 670-06 0010



platinum

36 426 670-08 0010



Dark Brass matte

36 426 670-16 0010



Dark Bronze matte

36 426 670-17 0010



black matte

36 426 670-33 0010



Champagne

36 426 670-47 0010



Cyprum

36 426 670-49 0010



Dark Platinum matte

36 426 670-99 0010

More custom finish options are available via special production (xTra Service). Please see our finish matrix for availability and pricing or contact a Dornbracht representative.

### Required article



35 426 970-90 0010

Concealed thermostat with integrated supply stops -

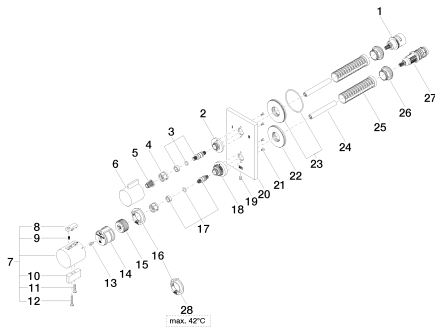


Shower - CL.1

Concealed thermostat with two-way volume control - polished chrome

Article number: 36 426 670-00 0010

## Spare parts list



Number	Item Number	Designation	Number of units
--------	-------------	-------------	-----------------